



## High Line Collection

### Standard Bracket

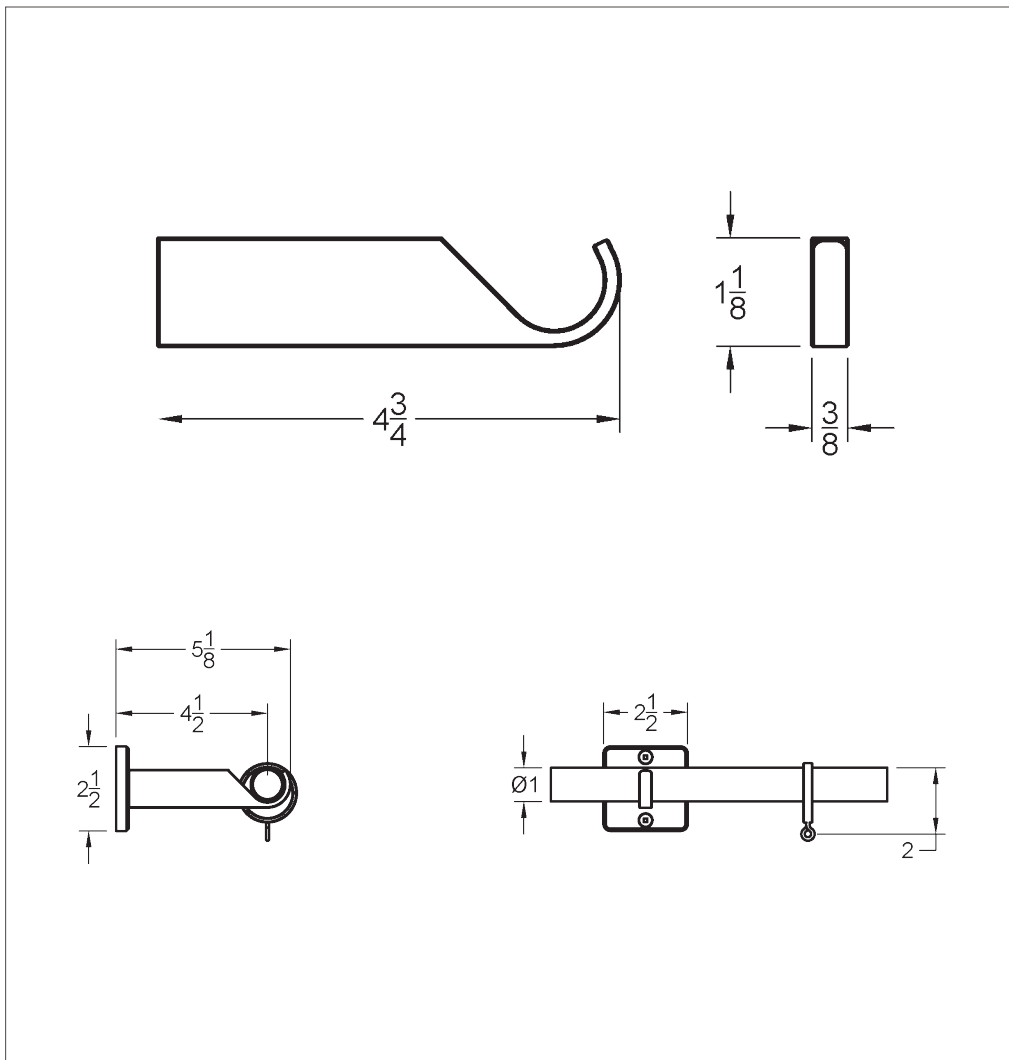
Dimensions: 4.75"L x 0.375"D x 1.125"H

Projection: 4.5" from wall to center of pole

\*Compatible with any of the four standard backplate options:

- Square
- Rectangle
- Oblong
- Round

\*drawing shown with square backplate



- Includes mounting hardware for both hollow wall (sheetrock) and stud installations, for concrete please inquire.
- Hidden 1/4" adjustment glide allows for minor installation adjustments.
- Custom projections and double rod installs available.

Make the High Line Hardware your own!

- Crafted to project specifications
- Handcrafted of Solid Steel
- Signature Plated Finishes
- Outdoor Option Available - please inquire