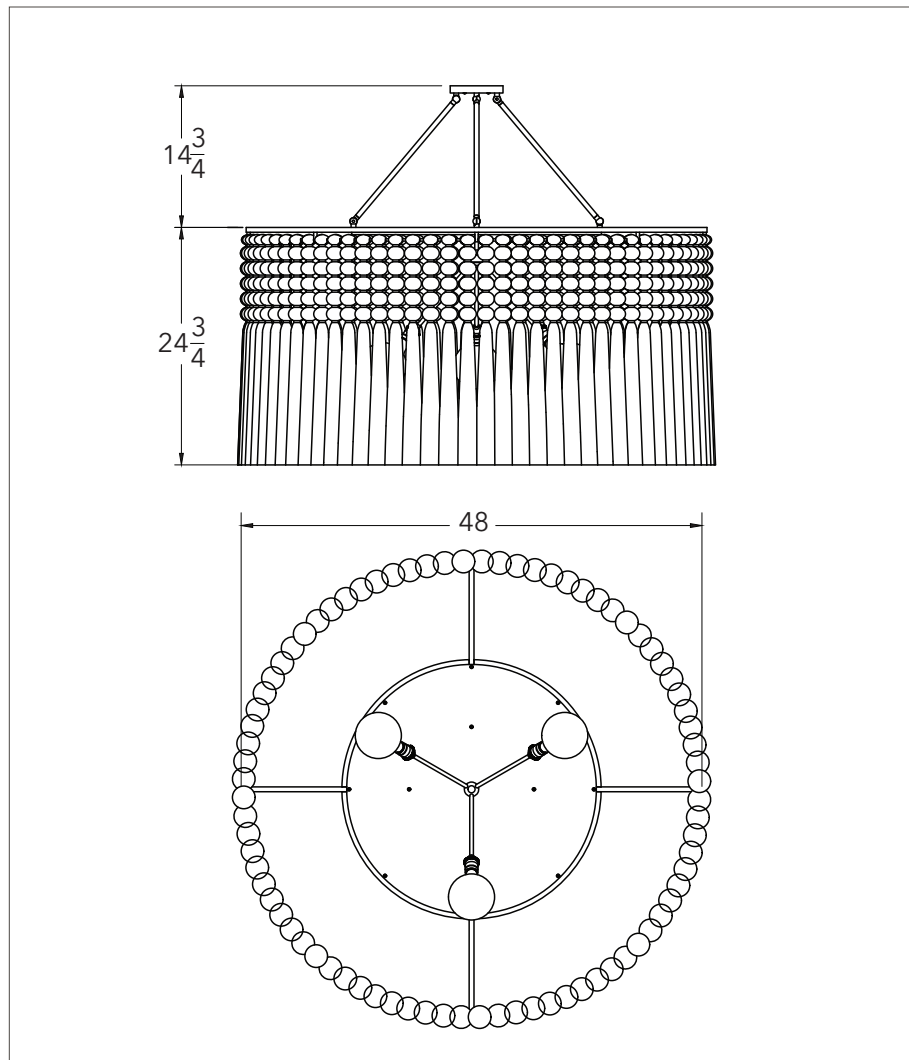




Dawn 48 - Spun Pearl Uniform

Chandelier



Dimensions: Diameter 48"
Tassel Length 24.75"

Weight: 78 lbs.

Drop Bars: Standard 14.75"
Minimum Height 8.5"
Maximum Height 30"

Chain Extension: Standard 18"
*Need more chain?
Please inquire, sold by 12" increments.

Bulb Size: Medium Base E26 / G40 4.75"

Bulb Quantity: 3 bulbs

Certifications:

- UL listed for damp locations
- Wiring for 220 EU installation is available
- FR treatment available

Make this Dawn 48 your own!

- See our standard material and colors
- Custom capabilities available, please inquire